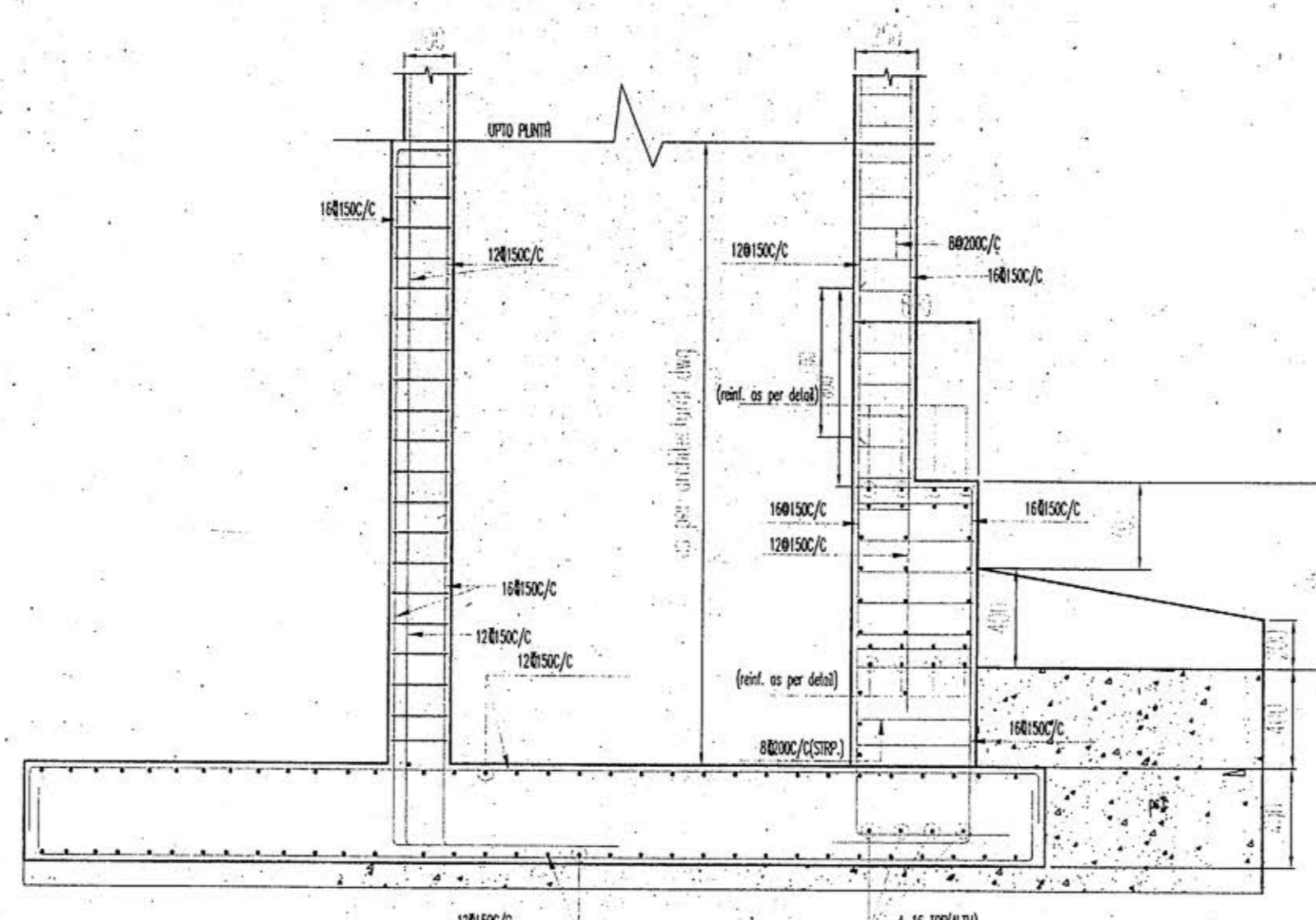
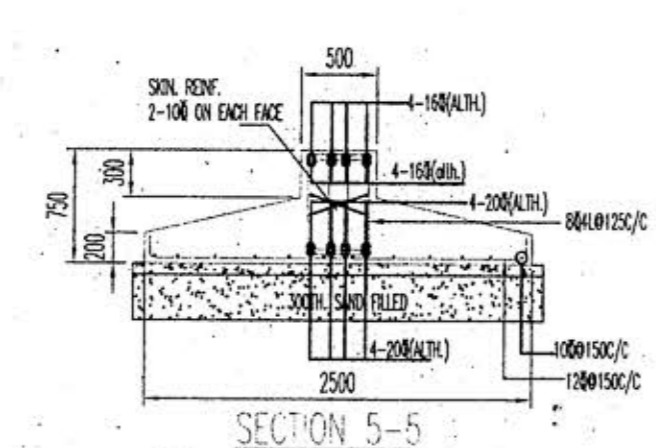
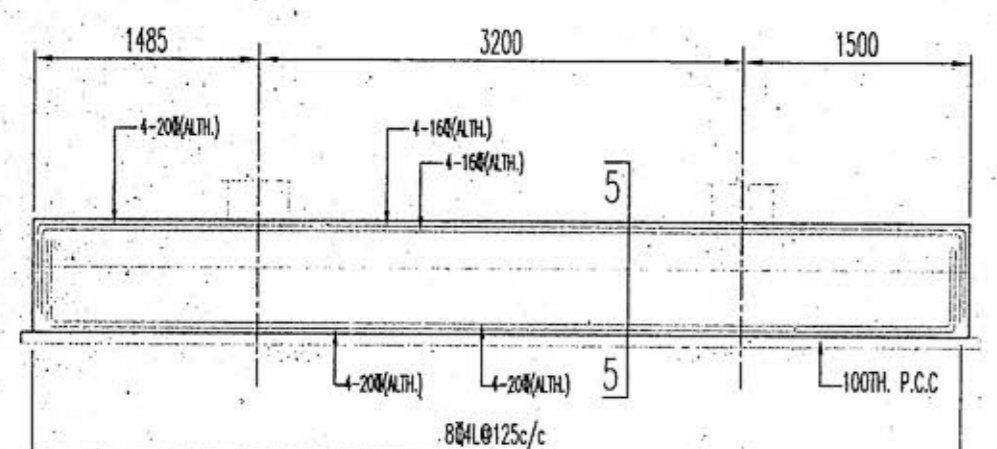
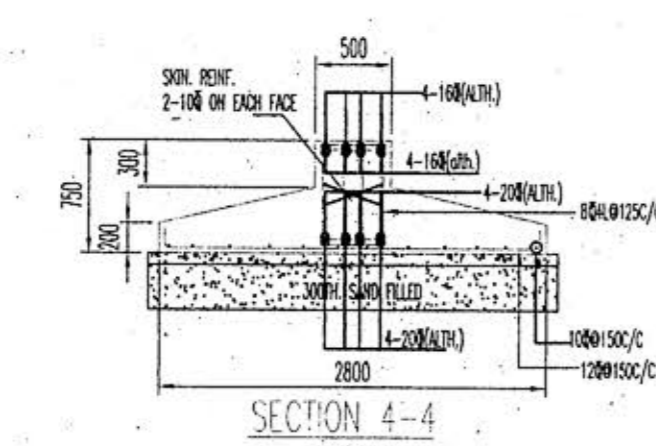
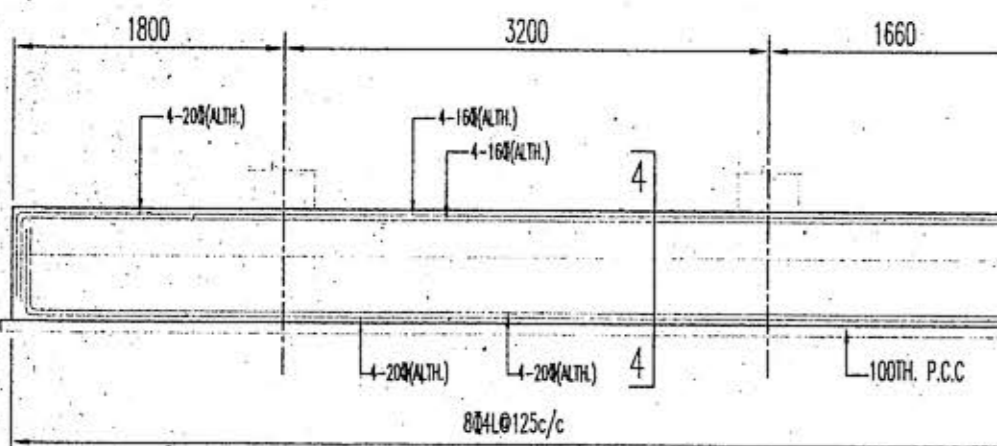
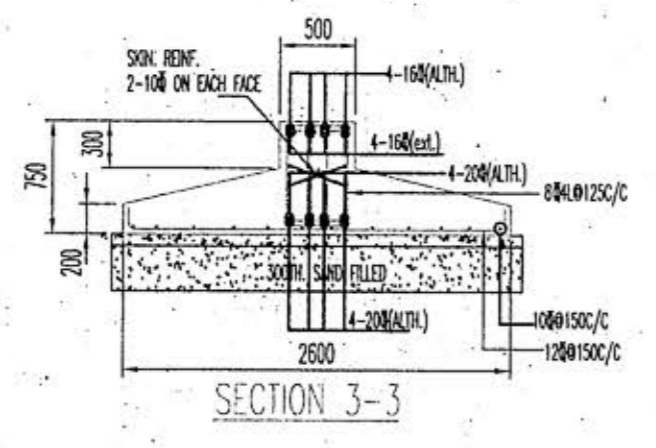
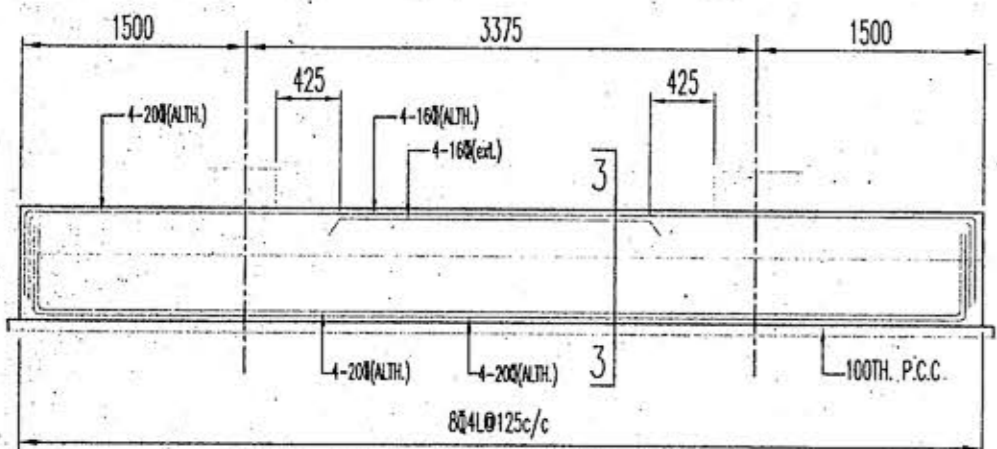
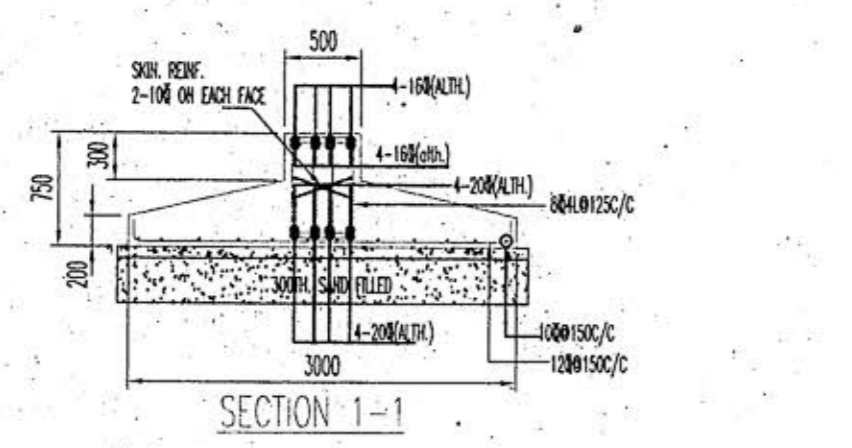
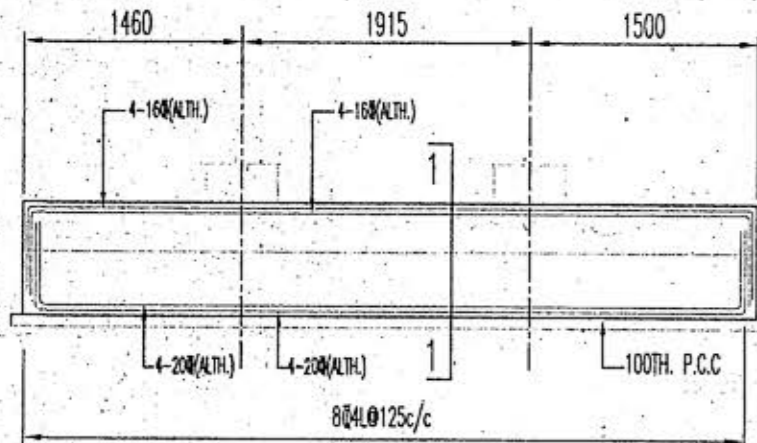
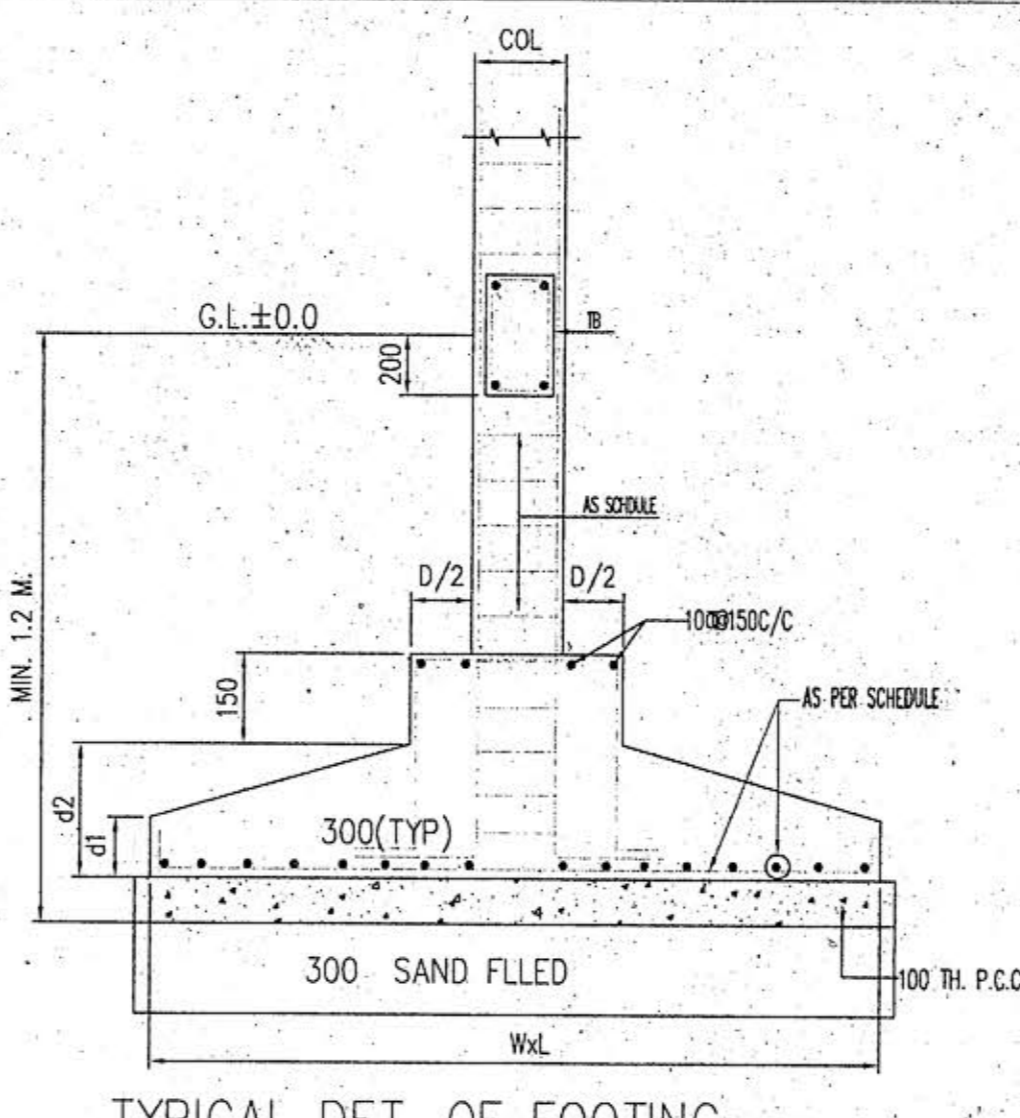


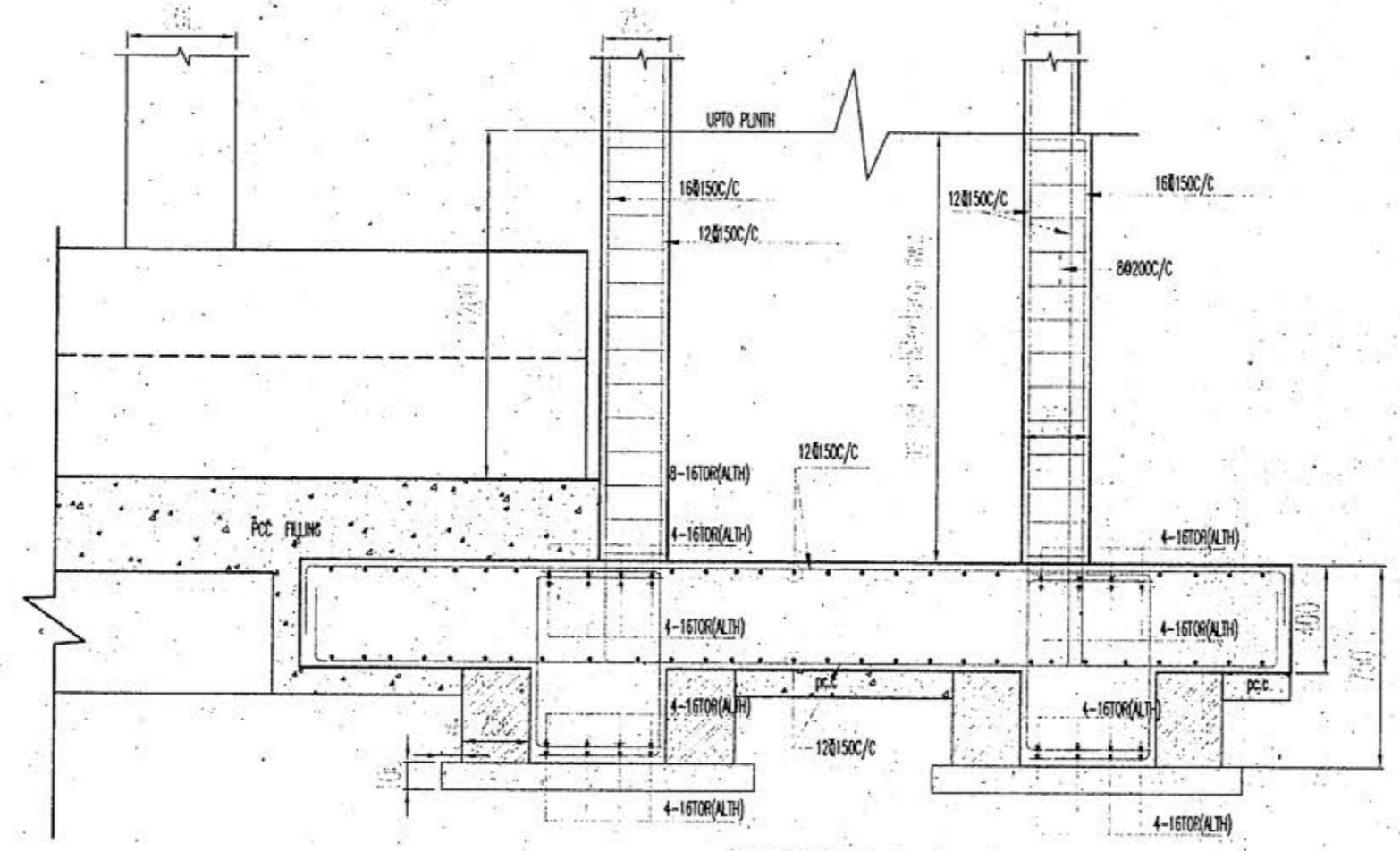
3



SECTION B-B
SCALE 1:25



TYPICAL DET. OF FOOTING
SCALE 1:25



SECTION 1-1
SCALE 1:25

MKD.	SIZE (mm)		DEPTH OF BASE SLAB		REINFORCEMENT	
	W	L	D	d	SHORTER(1)	LONGER(2)
F1	1800	1800	400	200	12@150 C/C BOTH WAYS OF BOTTOM	
F2	2000	2000	400	200	12@150 C/C BOTH WAYS OF BOTTOM	
F3	2100	2100	400	200	12@150 C/C BOTH WAYS OF BOTTOM	
F4	2200	2200	400	200	12@150 C/C BOTH WAYS OF BOTTOM	
F5	2400	2400	450	200	12@150 C/C BOTH WAYS OF BOTTOM	
F6	2500	2500	500	200	12@150 C/C BOTH WAYS OF BOTTOM	
F7	2600	2600	500	200	12@150 C/C BOTH WAYS OF BOTTOM	
F8	2800	2800	500	200	12@150 C/C BOTH WAYS OF BOTTOM	
F9	3000	3000	550	200	12@150 C/C BOTH WAYS OF BOTTOM	
F10	2200	2600	500	200	12@150 C/C BOTH WAYS OF BOTTOM	
F11	2200	2800	500	200	12@150 C/C BOTH WAYS OF BOTTOM	
F12	2600	3000	550	200	12@150 C/C BOTH WAYS OF BOTTOM	
F13	2400	3000	550	200	12@150 C/C BOTH WAYS OF BOTTOM	

BEAM MKD.	SIZE (MMxMM)	TOP		BOTT.		STIRRUPS (2 LEGGED)	
		ALTH	EXT(AT SUPT.)	ALTH	EXT(MID SPAN)	AT SUPPORT	AT SPAN
TB1	250x400	2-12@110		2-12@110		8@125mm C/C	8@150mm C/C
TB2	250x400	3-12@		3-12@		8@125mm C/C	8 @150mm C/C

- NOTES :-
- ALL DIMENSIONS ARE IN MM.
 - ALL CONCRETE SHOULD BE OF GRADE M20 UNLESS SPECIFIED.
 - COVER TO REINFORCEMENT: COLUMN = 40mm, BEAM = 30mm, SLAB = 15mm, FOUNDATION = 50mm.
 - DEPTH OF EXCAVATION OF UNDER GROUND SUMP SHOULD BE ABOVE THAT OF FOUNDATION.
 - DO NOT SCALE THE DRAWING; FOLLOW WITH DIMENSION.
 - ALL WALLS ARE AS PER ARCHITECTURAL DRAWINGS.
 - LEAN CONCRETE (1:1.5:6) NOMINAL MIX 75 THK. SHALL BE PROVIDED UNDER FOUNDATION.
 - THE DRAWINGS SHOULD BE STUDIED CAREFULLY AND ALL DIMENSIONS SHOWN HERE SHOULD BE CHECKED AT SITE. CLARIFICATION REGARDING DISCREPANCY IF ANY, SHOULD BE OBTAINED BEFORE COMMENCEMENT OF WORK.
 - SPACER BAR USED SHALL BE OF 20mm OR DIAMETER OF THE BAR USED N THE JOB WHICH IS LARGER.
 - STEEL TO BE USED SHOULD BE OF Fe-500 GRADE. REINFORCEMENT SHOULD BE WITH COLD TWISTED DEFORMED BARS CONFIRMING TO IS : - 1786 AND HAVE BEEN SHOWN AS 4.
 - DEPTH OF EXCAVATION OF UNDER GROUND SUMP/RESERVOIR SHOULD BE ABOVE THE DEPTH OF FOUNDATION OF THE ADJACENT BUILDING / STRUCTURE.
 - LAP LENGTH OF STEEL BAR SHALL BE 50 DIA OF BAR.

THIS IS TO CERTIFY THAT WITH FULL RESPONSIBILITY THE PLAN HAS BEEN DRAWN UP AS PER PROVISION OF 24 PARGANAS(S) ZILLA PARISHAD BUILDING RULES AS AMENDED FROM TIME TO TIME AND THE SITE CONDITION INCLUDING THE WIDTH OF THE ABUTTING ROAD CONFIRM WITH THE PLAN AND THAT IT IS BUILDABLE SITE AND NOT A TANK OR FILLED UP TANK.

SUBIR C. SANYAL
E.S.E. NO. 007
RAJPUR, SONARPUR MUNICIPALITY

SIGNATURE OF E.B.A.

THE STRUCTURAL DESIGN AND DRAWING OF BOTH FOUNDATION AND SUPERSTRUCTURE OF THE BLDG. HAS BEEN MADE BY ME CONSIDERING ALL POSSIBLE LOADS INCLUDING THE SEISMIC LOAD AS PER THE NATIONAL BUILDING CODE OF INDIA AND CERTIFIED THAT IT IS SAFE IN ALL RESPECTS.

SUBIR C. SANYAL
E.S.E. NO. 007
RAJPUR, SONARPUR MUNICIPALITY

SIGNATURE OF STRUCTURAL ENGINEER

Authorised Signatory
Rajendra Kumar Sanyal
As Lawfully Constituted Attorney of
Sriha Sengupta, Raj Sengupta
Ananta Mukherjee
Sanchaiti Roy Choudhary
Tapas Kumar Dey
Swapan Kumar Dasgupta
Sourabh Dasgupta, Ujjal Dasgupta
Anuraha Dasgupta
Devika Guha Roy, Lipika Dasgupta

SIGNATURE OF OWNER

PROJECT
PROPOSED G+III STORIED RESIDENTIAL BUILDING
AT HOLDING NO.450, UTTER KUMRAKHALI, WARD
NO. 27, R.S. DAG - 413, L.R. DAG NO. - 432, R.S. KHATIAN
NO. 623,626, 1532, L.R. KHATIAN NO. 3042, 3043, 2840,
2841, 2842, 2843, 2838, 2837 & 2839, J.L. NO. 48, AT
MOUZA - KUMRAKHALI, P.S. - SONARPUR, DIST.-24 PGS.
(S), UNDER RAJPUR SONARPUR MUNICIPALITY

OWNER'S NAME : SRI ARJIT SENGUPTA & OTHERS

N TITLE: FOUNDATION, TIE BEAM, SCHEDULE & SECTION

Sanyalson Associates
Consultant Pvt. Ltd.
CONSULTANT PLANNER & STRUCTURAL ENGINEERS
P-137, KANUNGO PARK, KOLKATA-84

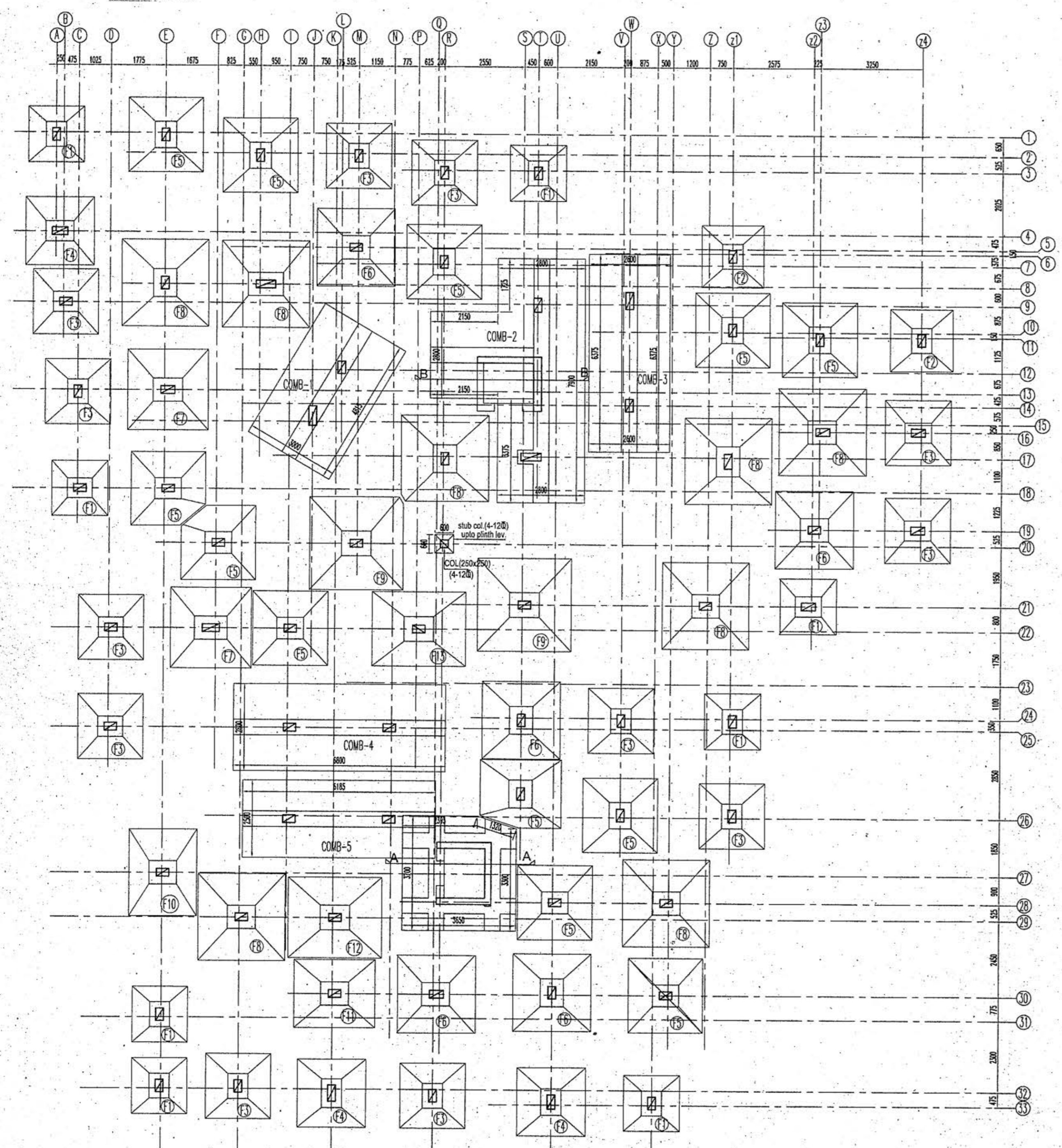
DWG NO.- STR- 01/02 Date- 02.04.14

3

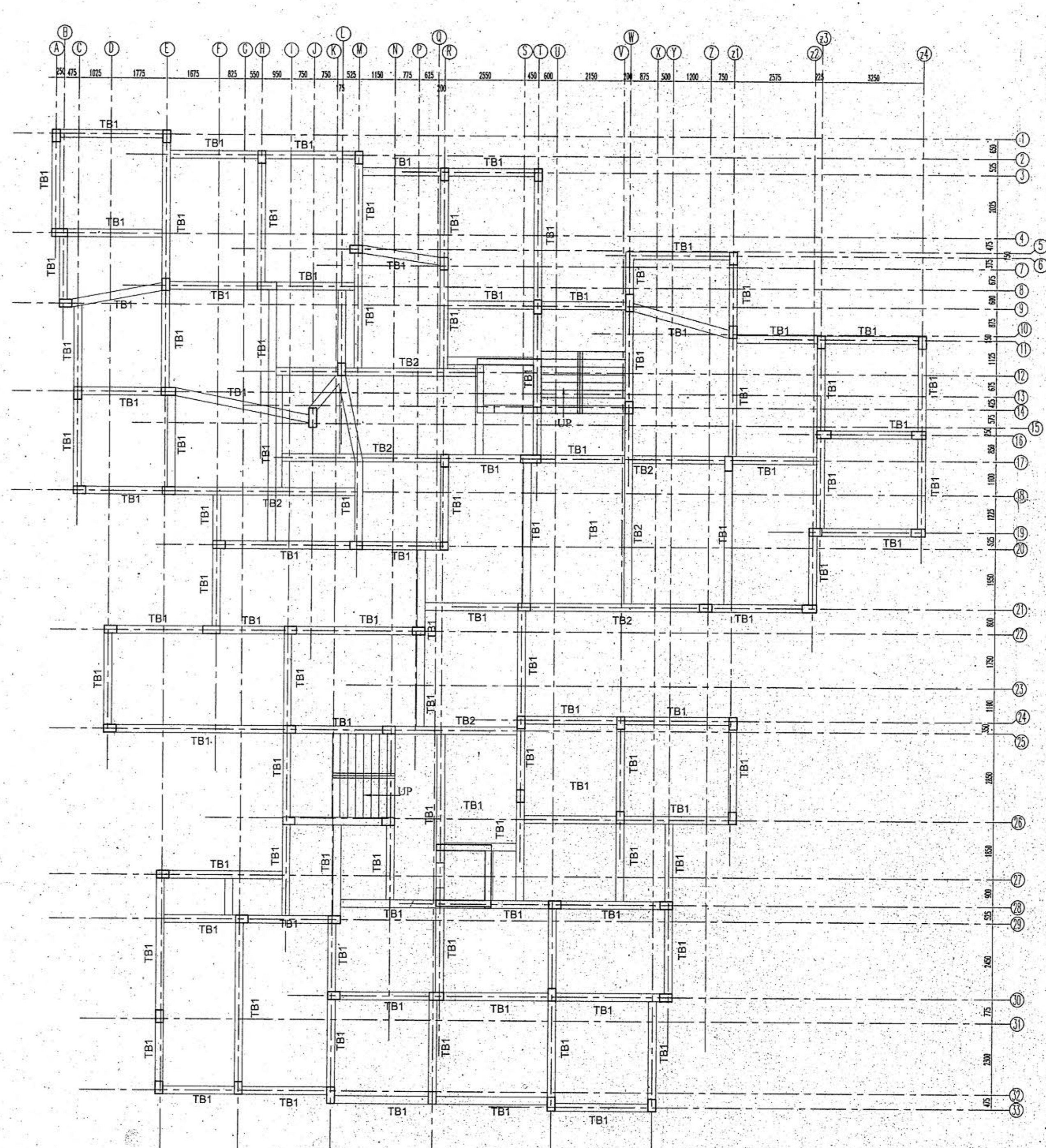
3 copy

APPROVAL OF S.A.E.
OFFICE USE ONLY

APPROVED
Plan No 407/02/27/14 Date 03/07/2014
Valid upto 03/07/2017
Partha Gupta
Municipal Engineer
RAJPUR, SONARPUR MUNICIPALITY



FOUNDATION LAYOUT PLAN



TIE BEAM LAYOUT PLAN